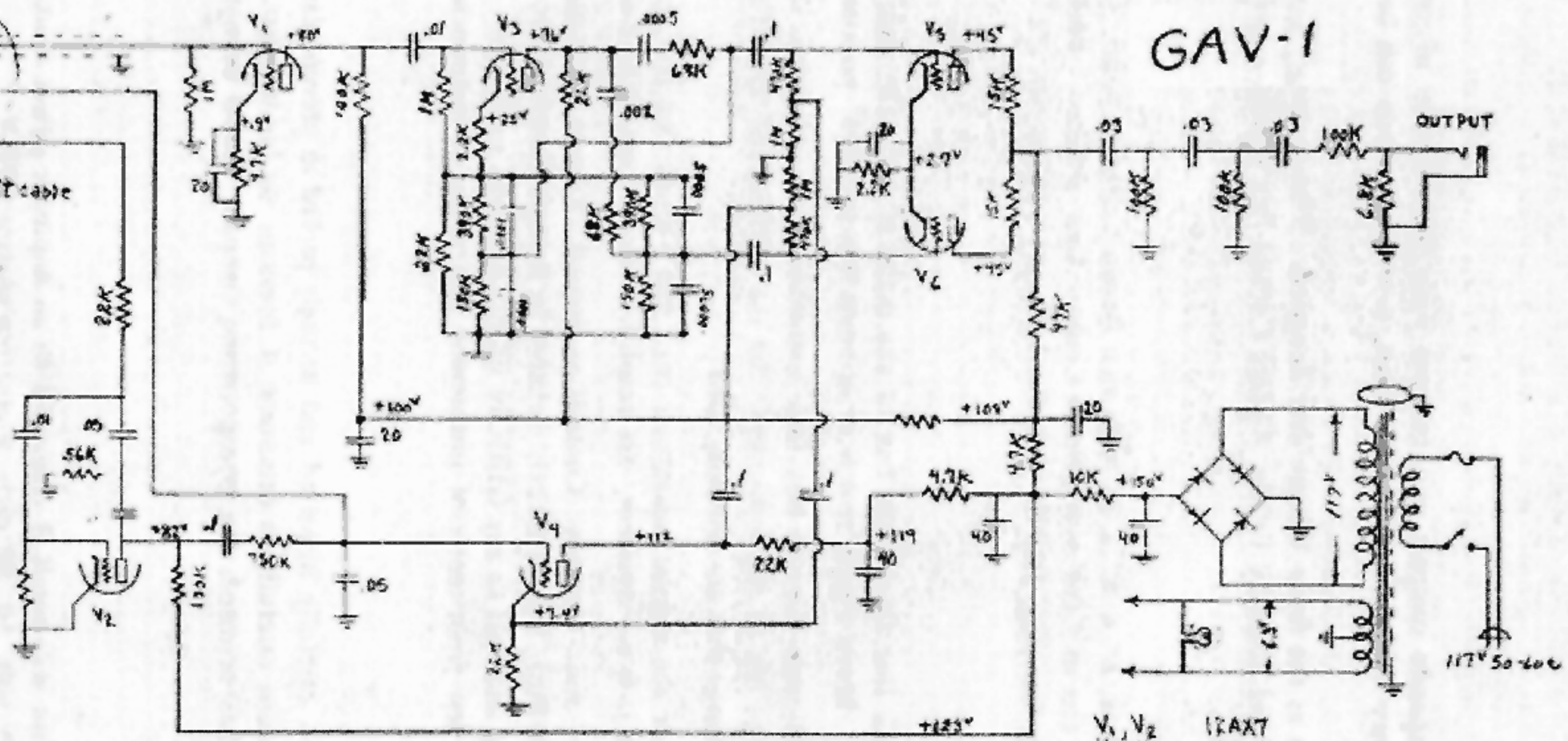


VIEW with cover removed  
Showing location of tubes.



# GAV-1

Voltages to chassis with 200m  $\mu$ v meter, Vibrator off + 117V AC line.

- V<sub>1</sub>, V<sub>2</sub> 12AX7
- V<sub>3</sub>, V<sub>4</sub> 12AU7
- V<sub>5</sub>, V<sub>6</sub> 12AU7